



Vegetable Slicer

TrinityPro Vegetable Slicers 1800 rpm, 2 discs included

ITEM # _____

MODEL # _____

NAME # _____

SIS # _____

AIA # _____



602149 (VGSUS)

Vegetable Slicer with 2 discs included (slicer 5/32", grater 5/64"), 1800 rpm, USA plug

Short Form Specification

Item No. _____

Vegetable slicer ensures consistent cutting results thanks to the design patented lever-pusher. Constructed in a sturdy plastic material. 1.32 quart large transparent half-moon hopper. Vegetables can be fed directly into the half moon hopper, a pusher presses the vegetables against the cutting discs ensuring an even cut in minimal time. 2 small hoppers for precise cuts on long vegetables dia. 1 1/64" (55mm) or 1" (25mm). Ideal for grating, slicing/wavy slice, julienne and dicing. 2 discs included: slicer 5/32" (4mm) and grater 5/64" (2mm). A safety micro switch stops the blade when the feed hopper is opened. No-volt release system prevents accidental start of the appliance. All parts in contact with food are removable and Dishwasher safe. Watertight, easy to clean, flat, soft-touch buttons, single speed 1800 rpm with on/pulse/off function for simple operations. With US plug.

Main Features

- Vegetable slicer unit has slicing, grating, shredding (julienne) as well as dicing and french fries capabilities.
- Continuous feed model.
- Equipped with half moon hopper (1.32 qt capacity) and 2 small round feed chutes: 1" (25mm) and or 2 11/64" (55mm), for precise slicing of long shaped vegetables.
- Uniform cuts and maximized load capacity, thanks to the design patented lever-pusher.
- Large output chute for efficient ejection. Fits up to 7 3/4" high standard kitchen containers (like GN) under the output chute.
- Pulse function for quick and precise slicing and grating.
- Vegetable slicer blade stops when lever pusher is lifted for operator safety.
- Optional discs available of various sizes for slicing, grating and shredding.
- All parts in contact with food are removable without the use of tools, completely dismountable and dishwasher safe.
- Easy to clean and watertight control panel with on/off button and pulse function.
- Productivity up to 100 settings per service.
- ErgoCert 4-star certification for ergonomic design and ease of use.
- Model includes 2 discs: 5/64" (2mm) grater, 5/32" (4mm) slicer.

Construction

- compact design, easy to move and store.
- IPX5 (IP55) flat panel touch-control, watertight panel.
- Main switch ON/OFF on the back of the appliance.
- Asynchronous industrial motor with no brushes for high reliability and quiet functioning, stainless steel motor shaft.
- Food safety assured thanks to BPA-free materials and compliance with NSF standards.
- Product safety in accordance with international and UL standards.
- 1 speed: 1800 rpm.
- Motor power: 1 HP / 750 Watt.

Included Accessories

- 1 of STAINLESS STEEL GRATING DISC 5/64" (2 MM) PNC 650198
- 1 of EJECTOR FOR VEGETABLE SLICER PNC 650232
- 1 of STAINLESS STEEL SLICING DISC 5/32" (4 MM) PNC 650237

Optional Accessories

- Cleaning tool for TRS, TRK & TR210 3/16"-5/16"-3/8" (5-8-10 mm) dicing grids PNC 650110

APPROVAL: _____



TrinityPro Vegetable Slicers 1800 rpm, 2 discs included

Vegetable Slicer

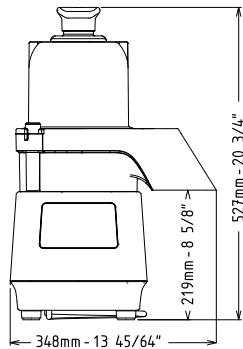


Electrolux
PROFESSIONAL

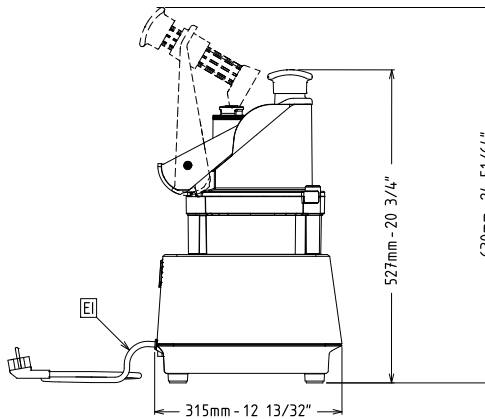
Vegetable Slicer
TrinityPro Vegetable Slicers 1800
rpm, 2 discs included

- 3 DISCS SET TRK1 (5/64" SLICER, 3/16" SLICER, 1/8" GRATER) PNC 650196
- 6 DISCS SET (5/64" SLICING, 3/16" SLICING, 1/8" GRATING, 9/32" GRATING, 3/8" SLICER, 3/8"x3/8" GRID) PNC 650197
- STAINLESS STEEL GRATING DISC 5/64" (2 MM) PNC 650198
- STAINLESS STEEL GRATING DISC 1/8" (3 MM) PNC 650199
- STAINLESS STEEL GRATING DISC 5/32" (4 MM) PNC 650205
- STAINLESS STEEL GRATING DISC 9/32" (7 MM) PNC 650207
- PARMESAN DISC PNC 650208
- STAINLESS STEEL JULIENNE DISC 5/64" (2 MM) PNC 650209
- STAINLESS STEEL JULIENNE DISC 5/32" (4 MM) PNC 650210
- STAINLESS STEEL JULIENNE DISC 5/16" (8 MM) FOR FRENCH FRIES PNC 650211
- STAINLESS STEEL SLICING DISC 1/32" (1 MM) PNC 650213
- STAINLESS STEEL SLICING DISC 5/64" (2 MM) PNC 650214
- STAINLESS STEEL SLICING DISC 1/8" (3 MM) PNC 650215
- STAINLESS STEEL SLICING DISC 3/16" (5 MM) PNC 650216
- STAINLESS STEEL SLICING DISC 1/4" (6 MM) PNC 650217
- STAINLESS STEEL WAVY SLICING DISC 1/8" (3 MM) PNC 650218
- STAINLESS STEEL WAVY SLICING DISC 3/16" (5 MM) PNC 650219
- ALUMINUM SLICING DISC 5/16" (8 MM) PNC 650220
- ALUMINUM SLICING 3/8" (DISC 10 MM) PNC 650221
- DICING GRID 5/16"x5/16" (8x8 MM) PNC 650222
- DICING GRID 3/8"x3/8" (10X10 MM) PNC 650223
- DICING KIT 5/16" - ALUMINUM SLICER 5/16", GRID 5/16"x5/16" (8X8MM) PNC 650224
- DICING KIT 3/8" - ALUMINUM SLICER 3/8", GRID 3/8"x3/8" (10X10 MM) PNC 650225
- EJECTOR FOR VEGETABLE SLICER PNC 650232
- STAINLESS STEEL SLICING DISC 5/32" (4 MM) PNC 650237

Front

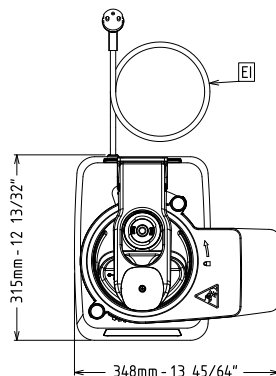


Side



EI = Electrical connection

Top



Electric

Supply voltage:

602149 (VGSUS) 115 V/1N ph/60 Hz

Electrical power, max:

1 kW

Total Watts:

1 kW

Capacity:

Performance (up to):

150 kg/hour

Key Information:

External dimensions, Width: 348 mm

External dimensions, Depth: 315 mm

External dimensions, Height: 527 mm

Shipping weight: 21 kg